

Starke Sound™

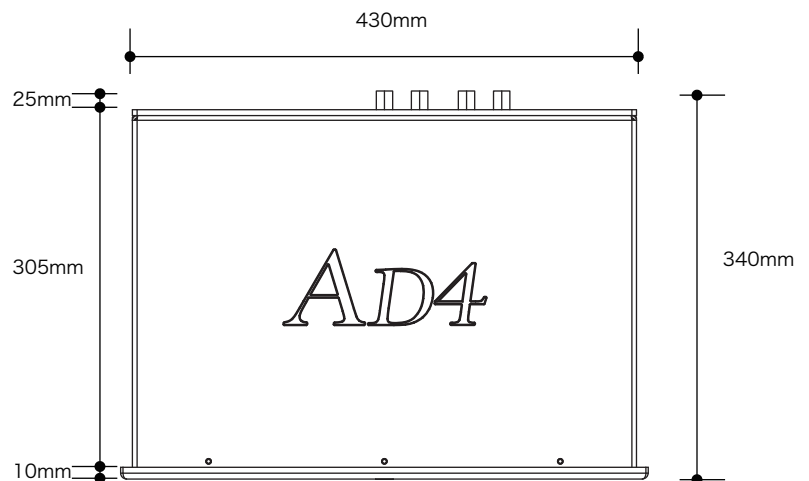
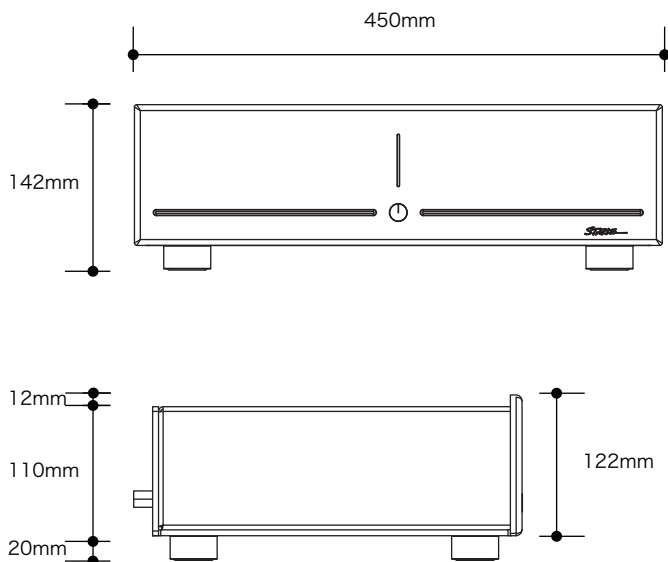
AD4.320

Sincerity and efficiency

For true audiophile performance, Starke Sound's electronics team developed the innovative NS600 module, raising its sampling rate to 600 kHz and employing a pure analog power supply. Combining the high efficiency of class D and the warm sound of class AB amplifiers, AD4 also offers the flexibility of 4-channel or bridged 2 or 3-channel operation. AD4 is a perfect combination of usability and performance.

Key Features

- Newly developed NS600 amplifier module
- Linear analog power supply
- 4 channels, 320 watts per channel
- High sampling rate of up to 600 kHz.
- Flexible 4, 3, or 2-channel output



Technical Specifications

Output Power	225 W RMS at 8 Ω (4-channel output) 320 W RMS at 4 Ω (4-channel output) 430 W RMS at 4 Ω (BTL mode, 2-channel output) 650 W RMS at 2 Ω (BTL mode, 2-channel output)
ClassA power	None
Gain	23dB
Channel quantity	4 channels
Amplifier type	Hybrid
Frequency Response	5Hz-100KHz -1.5 dB
Maximum output current per channel	16.5A/33A (Bridge)
Signal-To-Noise Ratio (SNR)	112dB, "A" weighted
THD	<0.04% at 1 kHz, at 320 W, 4 Ω <0.08% at 20 kHz, at 320 W, 4 Ω
Input terminals	4-Channel RCA Input 4-Channel XLR Input
Input Impedance (RCA)	100K Ω
Input Impedance (XLR)	200K Ω
Input Sensitivity	2.8V
Output terminals	4 pairs beryllium copper binding post, custom made by Starke Sound
Output Impedance	0.136 Ω (5 Hz to 100 kHz)
Minimum load impedance	0.8 Ω
True balance circuit	Yes
Heat	114 BTU / hr
Fan noise	None
Power consumption	Standby 8W Idle 14W Maximum 1500W
Control option	12V trigger input & output
Cabinet	Aluminum
Color options	Black
Full size	W 17.7 x H 5.6 x D 13.4 inches (w/ foot&faceplate) W 450 x H 142 x D 340mm (w/ foot&faceplate)
Weight	26.8 lbs (12.2kg)
Shipping size	L 21.5 x W 16.9 x H 9.1 inches L 545 x W 430 x H 232 mm
Shipping weight	29.8 lbs (13.5kg)
Warranty	3 years (from original purchase date)